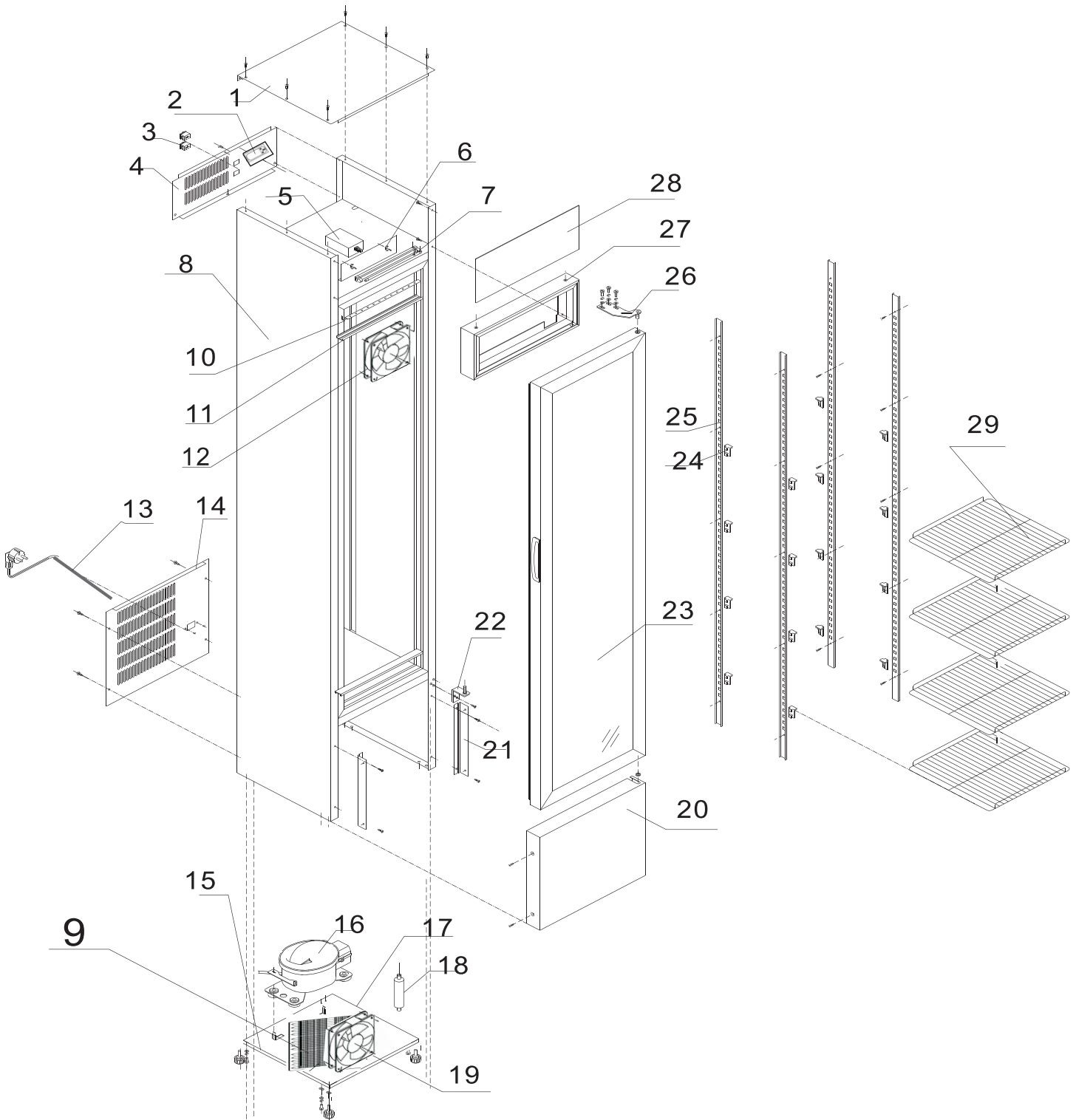


Parts Breakdown

Model FR-CN-0105 47241



Parts Breakdown

Model FR-CN-0105 47241

Item No.	Description	Position	Item No.	Description	Position	Item No.	Description	Position
AH263	Top Panel for 47241	1	AH273	Lampshade for 47241	11	AH283	Connector for Front Bottom Panel for 47241	21
AH264	Digital Temperature Controller for 47241	2	AH274	Evaporation Fan for 47241	12	AH284	Hinge Down for 47241	22
AH265	On/Off Button for 47241	3	AH275	Power Line for 47241	13	AH285	Glass Door for 47241	23
AH266	Back Panel for 47241	4	AH276	Seal Plate for Compressor Room for 47241	14	AH286	Shelf Holder for 47241	24
AH267	Transformer for LED for 47241	5	AH277	Base Foot for 47241	15	AH287	Stand Column for 47241	25
AH268	Lamp Holder for 47241	6	AH278	Compressor NUG60LR for 47241	16	AH288	Hinge Upper for 47241	26
AH269	LED Tube for 47241	7	AH279	Bottom Plate for Compressor for 47241	17	AH289	Top Frame for Light Box for 47241	27
AH270	Case for 47241	8	AH280	Filter Drier for 47241	18	AH290	Lamp Plate for 47241	28
AH271	Condenser for 47241	9	AH281	Heat Elimination Fan for 47241	19	AH291	Shelf for 47241	29
AH272	Inner LED Lamp for 47241	10	AH282	Front Bottom Panel for 47241	20			